



WARNING

**Alterations to these
cistern fittings may
infringe water byelaws
and will invalidate our
conditions of sale**



Plumbing Solutions
ORIGINAL

Twyford Bathrooms Appliances Ltd.
140 United Kingdom Bedford Hill
Ballam SW 12
ENGLAND.



Plumbing Solutions
ORIGINAL

LOW LEVEL CISTERN FITTINGS FIXING INSTRUCTIONS

IMPORTANT—READ CAREFULLY BEFORE ASSEMBLY

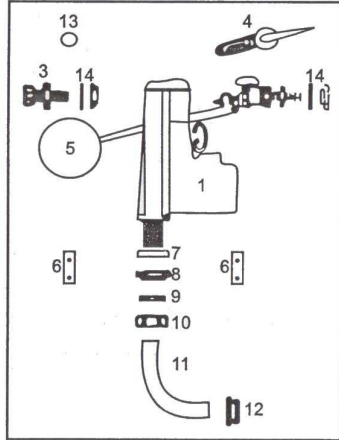
WATER SUPPLY:

FOR MAINS FED INSTALLATIONS, ENSURE WATER
LEVEL IN CISTERN IS SET AT THE TIME OF PEAK MAINS
PRESSURE.

SEALING COMPOUNDS:

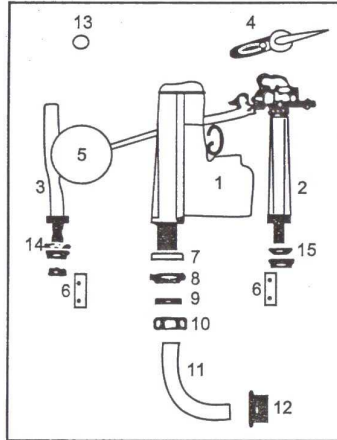
SEALING COMPOUNDS ARE NOT RECOMMENDED SINCE
SOME TYPES ATTACK AND DAMAGE THE PLASTIC
CISTERN FITTINGS.

LOW LEVEL side inlet fittings



- 1 Plastic syphon
- 2 Side inter ballvalve
- 3 Side overflow
- 4 Lever
- 5 Float ball
- 6 Cistern brackets
- 7 Soft rubber washer
- 8 Backnut
- 9 Rubber washer
- 10 Capnut
- 11 Flushbend
- 12 Inlet connexion
- 13 Lever hole stopper
- 14 Rubber washer 3/4 "

LOW LEVEL bottom inlet fittings



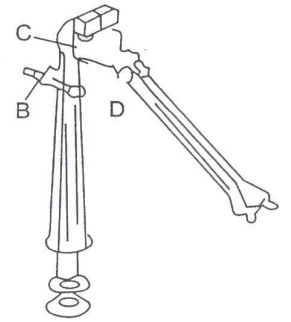
- 1 Plastic syphon
- 2 Bottom inlet ballvalve
- 3 Bottom overflow
- 4 Lever
- 5 Float ball
- 6 Cistern brackets
- 7 Soft rubber washer
- 8 Backnut
- 9 Rubber washer
- 10 Capnut
- 11 Flushbend
- 12 Inlet connexion
- 13 Lever hole stopper
- 14 Rubber washer 3/4 "
- 15 Black conical rubber washer

NOTE: When an internal overflow syphon is supplied, the overflow fitting will be replaced by an overflow stopper.

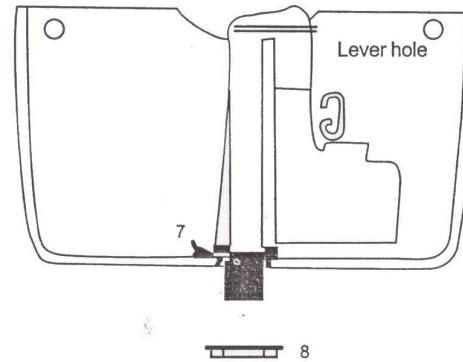
BALLVALVE ADJUSTMENT

As supplied the the ballvalve is fitted with a high pressure seating designed for use with mains water supply. If the cistern is to be fed from a storage tank unscrew nut C from valve body, remove the white high pressure seating, replace with the red low pressure seating D and reassemble.

NB. For ease or interchange the ballvalve is supplied with nut C hand tight only. It is vital that this nut tightened fully by the installer before the valve is connected to the water supply.



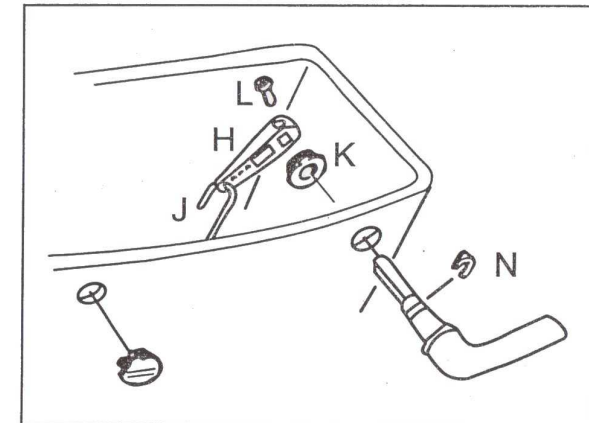
ASSEMBLY



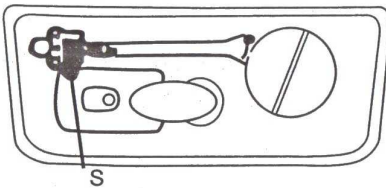
1. Place syphon inside cistern as shown and ensure that the bell of the syphon faces towards the lever hole and supply. Soft rubber washer 7 must be on inside of cistern.
2. Secure tightly with backnut 8.
3. Fit ball 5 to ballvalve arm and assemble in cistern. Fit overflow 3 and check that the ball is free to move up and down. Rubber washer 14 must be on inside of cistern.
4. If a bottom inlet ballvalve is fitted, washer 15 must be inside cistern with its conical face against the ballvalve hole. After fitting, screw out the stabilising screw B until its plain end is hard against the inside of the cistern.

5. Assemble bush onto lever spindle and secure with retainer N. Flat face of retainer must be against end of bush. Insert assembled lever and bush into cistern and secure with nut K. Hook lifting arm H onto link J and fit arm on and of lever spindle. Position arm so that syphon link lifts vertically end does not pull to one side. Secure arm to spindle with screw L.

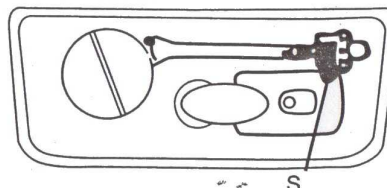
Fit hole stopper in alternative cistern lever hole.



LEFT HAND



RIGHT HAND



IMPORTANT
WHETHER BALLVALVE IS FITTED TO LEFT OR RIGHT-HAND SIDE OF CISTERN. DISCHARGE NOZZLE 'S' SHOULD FACE FORWARD AS SHOWN.