

### **Bath Care Instructions**

**Filling** – Always run cold water into the bath first.

**Cleaning** – Clean immediately after use with warm, soapy water and wipe dry. Never use gritty or abrasive cleaners.

Remove slight scratches and lime scale build-up with metal polish and then clean as normal. Replace worn washers on dripping taps to prevent surface marking.

**Warning** – Solvents such as paint stripper or nail varnish remover will damage the bath. Burning cigarettes will damage the bath.

### **Guarantee**

We guarantee our products against defects in workmanship and materials. The period of the guarantee is five years from the date of purchase for baths and two years from the date of purchase for bath panels.

This guarantee is subject to the following conditions and exclusions:

1. This guarantee applies only to products purchased and installed in the United Kingdom or the Republic of Ireland.
2. You must retain your purchase receipt and produce it to us in the event of a claim. The guarantee commences from the date of purchase.
3. The product must have been installed, used and cared for in accordance with our Instructions for installation and care. In addition, the products must have been installed in accordance with good plumbing practice.
4. We must be given the opportunity to inspect the product where it has been installed, if we request to do so. The product should not be removed before inspection without our consent.
5. Where we are satisfied that a defect has arisen in manufacture because of faulty workmanship or materials we will, at our option, repair or replace the product free of charge to you. If we choose to replace the product and we no longer manufacture the identical model we will replace it with the nearest equivalent in our then current range.
6. This guarantee does not apply to general wear and tear or where, in our opinion, the product has been modified, misused, neglected or wilfully or accidentally damaged.
7. This guarantee does not extend to the costs of removing the defective product and installing the replacement product or to any other costs or losses.
8. If we supply a replacement product this guarantee shall apply to the replacement product for the balance of the original guarantee period for that product.
9. This guarantee applies only to products installed in domestic premises and is not transferable to a new owner of the product.

Nothing in this guarantee affects your statutory rights.









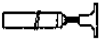



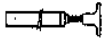




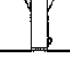

**Notice to Installer: Please leave these instructions with the product for the end user to read.**

# Assembly Instructions:

## Channel Ancillary Pack

No. 49

(AC3069XX – AC3070XX – AC3071XX – AC3072XX)

AC3069XX			
Part 'A'		Channel Support	x2
Part 'B'		Central Support	x1
Part 'C'		M10 x 110mm Long Bolt	x5
Part 'D'		M10 Nut	x15
Part 'E'		Wood Screw	x10
Part 'F'		Adjustable Feet	x5
Part 'G'		Wall Fixing Bracket	x2
Additional Parts for AC3070XX			
Part 'E'		Wood Screw	x4
Part 'H'		Support (assembled with adjustable feet)	x2
Part 'J'		Support Fixing	x2
Part 'K'		Self Tapping Screw	x2
Additional Parts for AC3071XX			
Part 'E'		Wood Screw	x2
Part 'H'		Support (assembled with adjustable feet)	x1
Part 'J'		Support Fixing	x1
Part 'K'		Self Tapping Screw	x1
Additional Parts for AC3072XX			
Part 'E'		Wood Screw	x8
Part 'H'		Support (x 480mm Long) (assembled with adjustable feet)	x4
Part 'J'		Support Fixing	x4
Part 'K'		Self Tapping Screw	x4

**Tools required (not supplied)**

Pencil	2 x Spanners to suit M10 nut	Spirit Level
Drill and 3mm drill bit	Cross head screwdriver	Tape measure

- Read these instructions carefully.
- Check the pack & make sure you have all parts listed. If not, contact your supplier who will be able to help you.
- When ready to start, ensure that you have all the right tools to hand, plenty of space & a clean dry area for assembly.
- Remove packing & protective film & inspect product prior to the commencement of assembly. Any damages found must be reported to the product supplier immediately.
- Remove & discard any transportation screws as they are not required for installation.

It is recommended that when the bath needs turning 2 people should carry out this operation.

### Fitting Instructions

- Turn the bath over so it is sitting on the top face. Ensure that the top face is protected so it cannot be scratched or damaged.

#### Figure 1

- Position the Channel Supports (A) & using the Wood Screws (E) secure them to the baseboard, which may be encapsulated, using 4 screws (2 per side) per channel.
- Position the Central Support (B) in the centre of the baseboard & between the Channel Supports (A). Secure using 2 Wood Screws (E).

#### Figure 2

- Take 5 x M10 Nuts (D) & screw them onto the M10 Bolts (C) leaving approximately 15mm from the top of the nut to the end of the bolt.
- Put the Bolt (C) through the Ø10mm holes on the Channel Supports (A) (2 per channel) & the Central Support (B).
- Using the next 5 Nuts (D) secure these bolts to their supports. Using your spanners ensure these are locked in place.
- Take the final 5 Nuts (D) & screw them onto the exposed end of the bolts leaving approximately 25mm from the top of the nut to the end of the bolt.
- Screw the Adjustable Feet (F) up to these nuts but do not fasten securely at this stage.

#### Figure 3

- Position the Support Fixings (J) onto the plastic support blocks or the wooden frame that supports the rim of the bath. Position them to gain the maximum support on the rim (i.e. if the bath is being fitted into a corner then the supports should be fitted to the exposed corner & approximately 2/3 along the long edge). **Note:** if you have pack AC3071XX then the support Fixing (J) should be placed in the centre of the seat support (which may be encapsulated)
- Secure in place using the Wood Screws (E).
- Insert the Supports (H) into the Fixings (J). Drill through the boss on the Fixings (J) into the legs of the Supports (H) using the drill & 3mm bit. Insert the Self Tapping Screws (K) to secure the Supports (H) in place.

#### Figure 4

- To fit the wall fixings (G), follow the diagram using suitable screws with a maximum length of 15mm (not supplied).
- Turn the bath over & position carefully. Using the 4 Adjustable Feet (F) attached to the Channel Supports (A) & your spirit level ensure that the top of your bath is level in both directions. Ensure that the height of the bath is correct to take the panels if they are being fitted. **Note:** the bath is designed to allow water to drain efficiently only when the top of the bath is flat.
- If the Wall Fixings (G) are being used, mark the wall through the slot in the fixings & remove the bath. **Caution:** care should always be taken when drilling into walls and floors to avoid sunken wires or pipes. Drill holes to suit wall plugs (not supplied). Insert your plugs. Re-position your bath, check that it is level & secure to the wall (screws not supplied).
- Screw the Adjustable Feet (F) on the Central Support (B) & the Supports (H) down to the floor. Secure these & the Feet (F) attached to the Channel Supports (A) to the floor (screws not supplied). Tighten all Nuts (D) securely with a suitable spanner.

Any sizes given are approximate and should be checked before installation

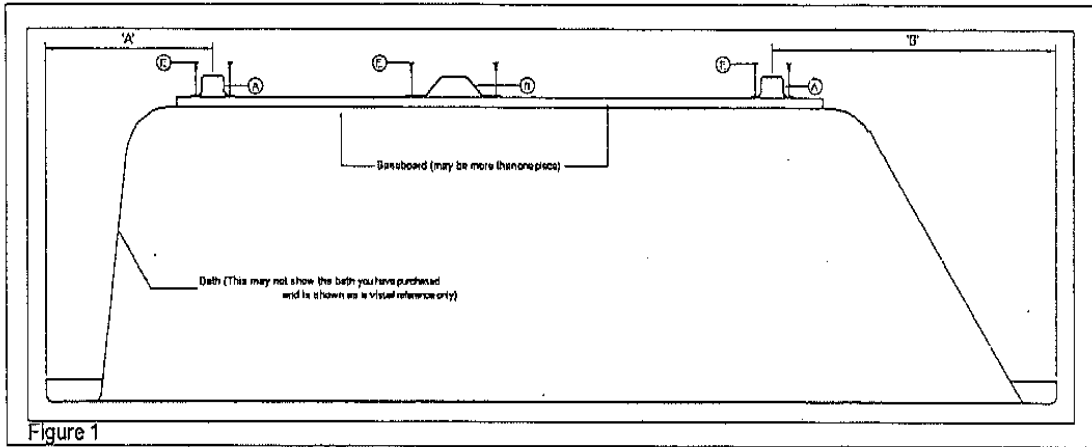


Figure 1

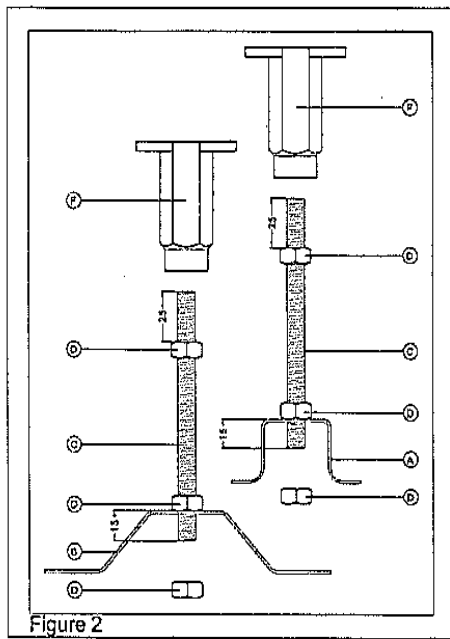


Figure 2

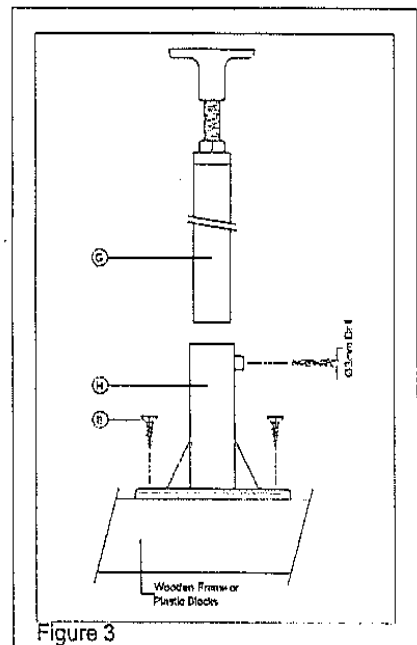


Figure 3

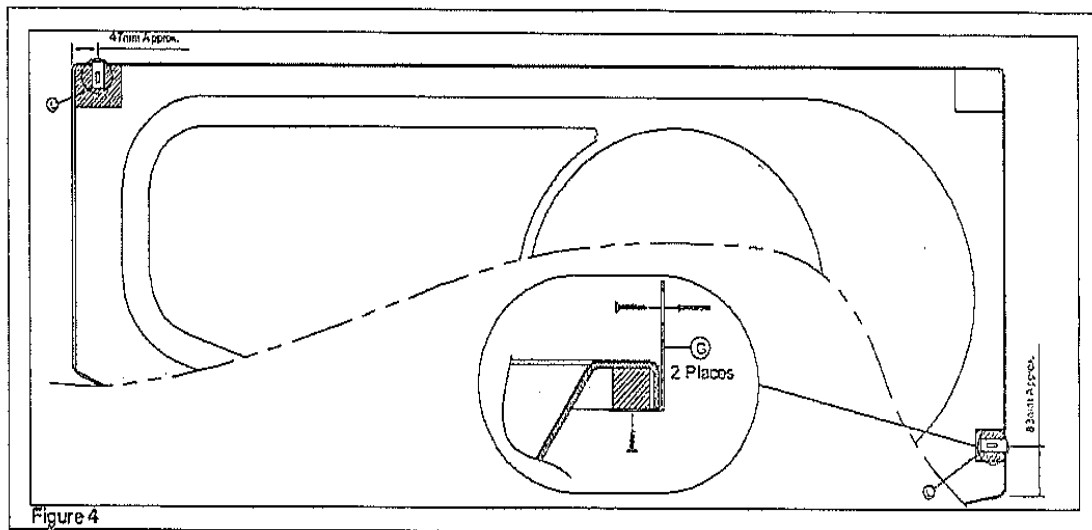


Figure 4